



**PQM-1000s** is a power quality network analyzer used for power metering, monitoring and analysis at electrical panels and energy consuming devices or systems.

It measures all the key electrical parameters and displays them in the large graphical LCD.

PQM-1000s meter offers great value to any electrician, chargeman & electrical engineer who desires accuracy and functionality.

## FEATURES

- Multifunction True RMS Meter
- Waveform Display for Voltage and Current
- Graphical Phasor Analysis
- Harmonics Spectrum Bar Graph Analysis
- 4 Quadrant Energy
- Demand for kW and Ampere
- Info Summary Page Display
- Phase Supply LED Indicator
- Phase Rotation Measurement
- External Plug-in Module for RS-485 Modbus RTU

## MEASURED PARAMETERS

- Voltage - V1, V2, V3, V12, V23, V31, V asymmetry
- Current - I1, I2, I3, In
- Power - P1, P2, P3, ΣP
- Reactive Power - Q1, Q2, Q3, ΣQ
- Apparent Power - S1, S2, S3, ΣS
- Active Energy - Import and Export
- Reactive Energy - Inductive and Capacitive
- Frequency
- Power Factor - PF1, PF2, PF3, PFavg
- Total Harmonic Distortion - Voltage and Current
- Displacement Power Factor - Cos Φ 1, Cos Φ 2, Cos Φ 3, Cos Φ avg, 360° phasor angle measurement for V1, V2, V3, I1, I2, I3, In
- Max / Roll / Prev Demand - I1, I2, I3, Iavg, P1, P2, P3, ΣP
- Harmonics - 1st to 21st (odd harmonics) for Voltage and Current
- Max / Min (V & I & P) with easy clear for analysis
- k-Factor measurement for Ampere - kF1, kF2, kF3 (indicative)
- Running Hours (Hour Run)

## TECHNICAL DATA

**Network Type**  
3P4W, 3P3W, 3P3W (Aron)

**Display Type**  
Graphical LCD with white LED backlight

**Current Measurement**  
AC Input Range : 0.005 ~ 6.500 A  
Accuracy : ± 0.5%  
CT Range : 0 ~ 10,000 / 5A  
Burden : < 0.1 VA at 5A

**Voltage Measurement**  
AC Input Range : 0~300 V<sub>L-N</sub>, 0~500 V<sub>L-L</sub>  
Accuracy : ± 0.5%  
VT Range : 1.0 ~ 2500.0 : 1

**Power Measurement**  
Accuracy (W, Var, VA, PF, Cos Φ) : 1.0%

**Frequency Measurement**  
Range : 45 ~ 65 Hz  
Accuracy : ± 0.1%

**Energy Measurement (4 Quadrant)**  
Range : 0.0 ~ 999,999,999.0

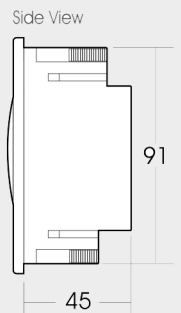
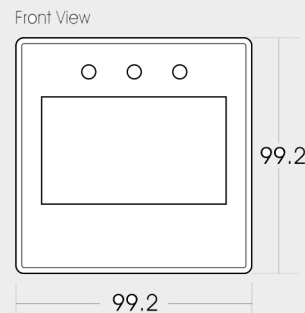
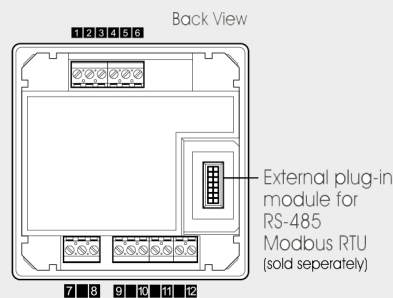
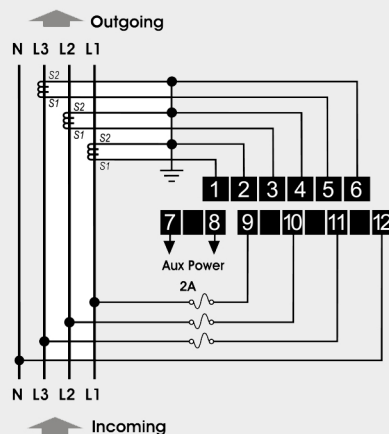
**Communication**  
Plug in module : A-01 (Modbus RTU RS-485)  
(sold separately) with selectable baud rate (kbps)  
0.6, 1.2, 2.4, 4.8, 9.6, 19.2, 38.4

**Aux Power Supply**  
AC range : 65 ~ 275 Vac, 45 ~ 65 Hz  
DC range : 90 ~ 300 Vdc  
Consumption : < 3VA

**Mechanical**  
Operating Temp. : -5°C ~ +55°C  
IP Rating : IP52 (front panel)  
Installation : Panel flush mount  
Dimension (mm) : 99.2 (h) x 99.2 (w) x 45 (d)  
Weight : approx. 310 gram

All specifications are subject to change without prior notice.

## WIRING & CASING



PANEL CUT-OUT: 92 x 92  
All measurement in millimeters.

