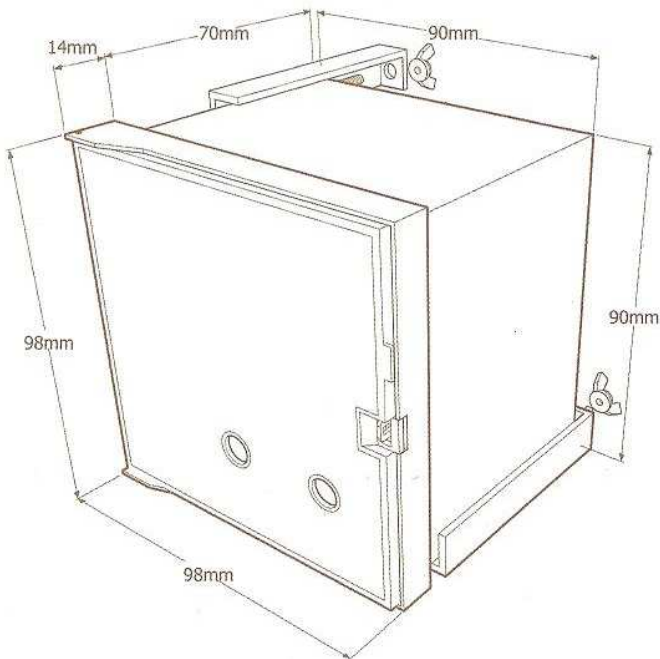




NAVIGATOR SERIES NV 5 | NV 7 POWER FACTOR CONTROLLER

FEATURES

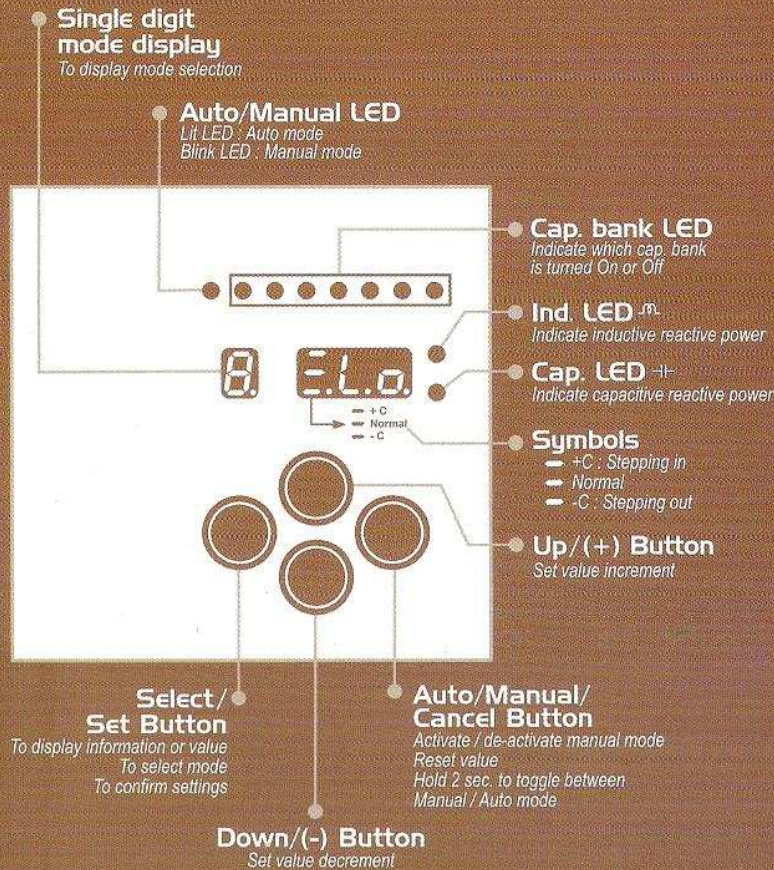


Panel cut-out : 92 x 92 mm

- Micro-processor based
- Cos Φ and power factor info
- LED indication for individual step
- Auto C/K detection
- Auto or manual operation
- Auto detection of C.T. polarity
- Secondary current info
- Voltage & Frequency info
- THD-I and THD-V info
- Programmable over voltage alarm
- Alarm or fan output
- Programmable software lock
- Flush mount



PANEL DESCRIPTION



TECHNICAL DATA

Power supply	240 VAC
Rated current	.. /5A
Rated frequency	47 ~ 63 Hz
Output relay / Alarm	5A / 250 VAC
No voltage release	< 40 ms
Weight	approx. 460 g
Operating temp.	0° C ~ +55° C
Standard	IEC : 61000-4-2/4-4/4-5/255-5:1

SETTING RANGE

C/K value	Auto or 0.02 ~ 1.00
Cos φ	0.85 (ind) ~ 0.95 (cap)
Switching program	Auto or P-0 ~ P-6 or custom
Switching interval	2 ~ 60 sec.
(V) > over voltage	OFF or 240 ~ 270 V

WIRING DIAGRAM

