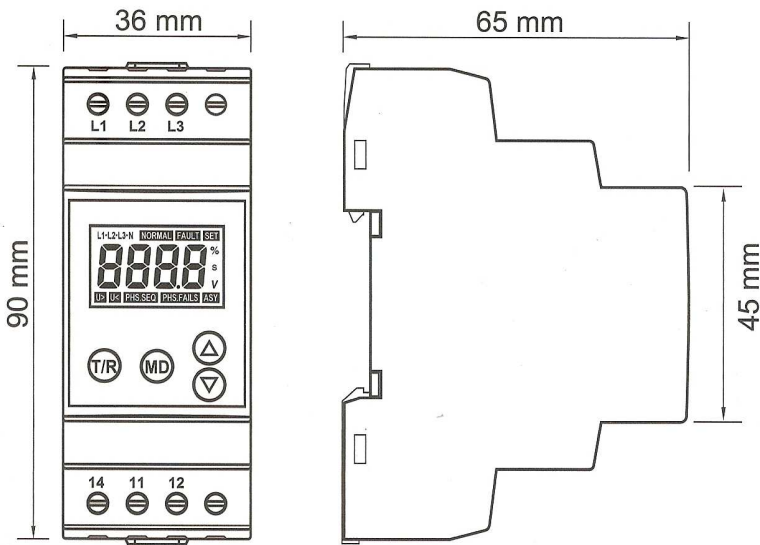


DVS-2000

VOLTAGE MONITORING RELAY

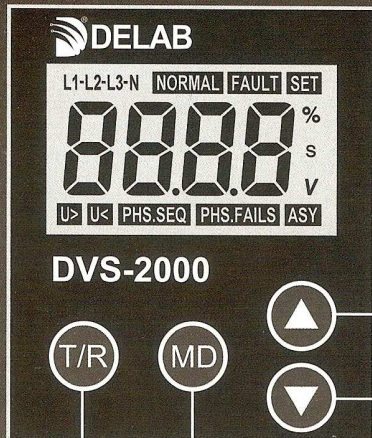
FEATURES



- True RMS measurement
- Over / Under voltage monitoring
- Phase Asymmetry monitoring
- Phase Sequence monitoring
- Phase failure monitoring
- Adjustable Over / Under voltage setting
- Real time L-L voltage & Fault display
- LCD back-lit display
- Test trip function
- Selectable Auto / Manual reset function
- Adjustable Start / Reset time delay
- Din-railed mount

Models available : DVS-2000 (3 Phase, 3 Wire)
 DVS-2000 (3 Phase, 4 Wire)





Tr : Start / Reset time delay
 To : Overvoltage time delay
 Tu : Undervoltage time delay
 Ta : Asymmetry time delay

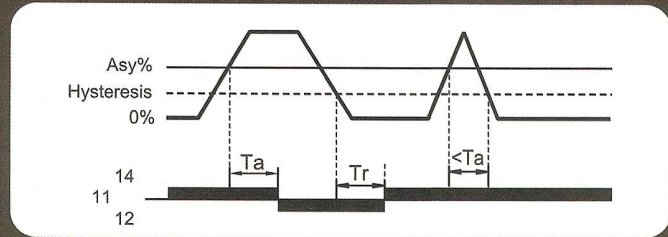
Up Button (+)
 - To change parameters value
 (Press & hold for fast increment)

Down Button (-)
 - To change parameters value
 (Press & hold for fast decrement)

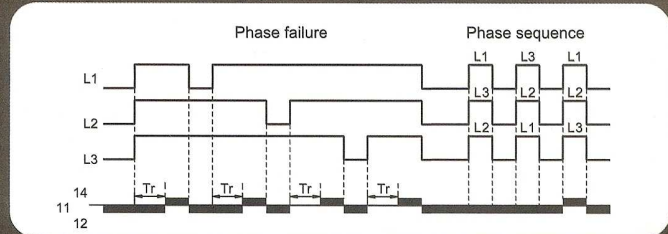
Parameters Menu Button
 - Press & hold 3 seconds to enter parameters for setting
 - Press to select parameter :-
 Overvoltage / Overvoltage delay / Undervoltage / Undervoltage delay
 Phase sequence / Asymmetry / Asymmetry delay /
 Start delay / Reset delay / Auto-reset

Test / Reset Button
 - Press & hold 0.5 seconds to test relay
 - Reset

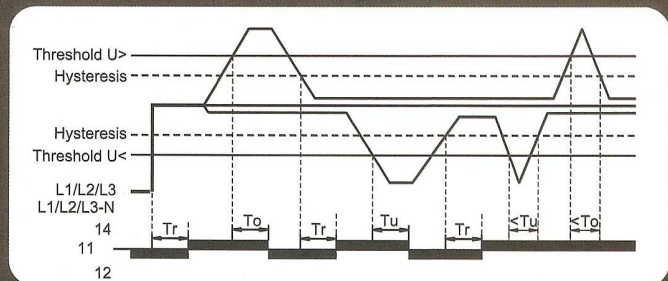
Phase Asymmetry Monitoring



Phase Failure / Phase Sequence Monitoring



Overvoltage & Undervoltage Monitoring



TECHNICAL DATA

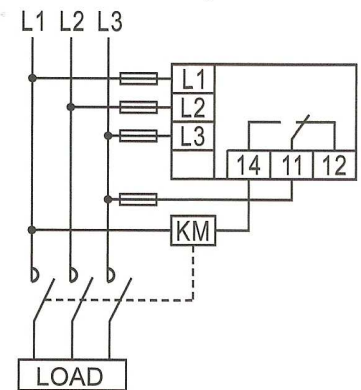
Measurement	True RMS Ampere
Rated Voltage supply	125 ~ 300 Vac ±10%, (3 phase 4 wire)
	200 ~ 500 Vac ±10%, (3 phase 3 wire)
Rated frequency	45 ~ 65 Hz
Output Contact	1 C/O contact
Contact Rating	AC-15 240V / 1.5A, 415V / 0.95A
Weight	approx. 90 g
Operating temp.	-5° C ~ +40° C
Storage temp.	-10° C ~ +55° C
Enclosure Protection	IP20
Standard	EN/IEC 60947-5-1

SETTING RANGE

Over voltage setting	OFF / 221~300 Vac ±1%, (3 phase 4 wire)
	OFF / 381~500 Vac ±1%, (3 phase 3 wire)
Over voltage delay	0.1~20 sec (0.1 sec step)
Under voltage setting	OFF / 150~219 Vac ±1%, (3 phase 4 wire)
	OFF / 260~379 Vac ±1%, (3 phase 3 wire)
Over voltage delay	0.1~20 sec (0.1 sec step)
Asymmetry	OFF / 5%~20% ±1%, (1% step)
Asymmetry delay	0.1~20 sec , (0.1 sec step)
Phase sequence	ON / OFF
Start / Reset delay	0.3~30 sec (0.1 sec step)
Auto-reset	ON / OFF

WIRING DIAGRAM

3 phase 3 wire



3 phase 4 wire

